



HEAVY DUTY RANGE ENGINEERING IN MOTION

WORLD LEADING UJ440i, UH440i, US440i



CONTENTS

INTRODUCTION	3
ENVIRONMENTAL HEALTH AND SAFETY	3
SERVICE AND SUPPORT	4
HEAVY DUTY RANGE FEATURES	6
UJ440i JAW CRUSHER	8
UH440i HYDROCONE CRUSHER	10
US440i CONE CRUSHER	12
ASRi	14
HANGING SCREEN SYSTEM	16
CUSTOMER TESTIMONIALS	18

The material in this brochure is of general application for information and guidance only, and no representation or warranty is made or given by the manufacturer that its products will be suitable for a customer's particular purpose and enquiry should always be made of the manufacturer to ensure such suitability. Whilst every effort has been made in the preparation of this document to ensure its accuracy, the manufacturer assumes no liability resulting from errors or omissions in this document, or from the use or interpretation of the information contained herein. The manufacturer reserves the right to make changes to the information in this brochure and the product design without reservation and without notification to users.



SHAPING A SUSTAINABLE FUTURE

We take corporate responsibility very seriously and you can be confident that our business decisions and actions demonstrate our focus on the environment.

Our machinery must operate at the highest levels of safety but we are also very aware that we need to minimize the environmental impact by ensuring the lowest possible levels of emissions.

We have taken steps to adapt our offering to assure you that operators can use our machinery in a safe manner as possible and keep the local environmental impact to a minimum.

EFFECTIVE SAFETY SYSTEMS

Health and Safety regulations vary by location, but we work very hard to implement our own international high standards that go well beyond the national minimum safety requirements.

We strongly emphasize safety in all process improvement and in the engineering of our equipment.

MINIMIZING ENVIRONMENTAL IMPACT

Our machines have been designed with your safety in mind. They feature proportional tracking systems to enable more controlled manoeuvring of the machines on site and easily accessible platforms for safe maintenance and servicing.

We have also implemented measures to lower the environmental impact whilst in operation. The engine compartments all comply with the latest global

emissions legislation, ensuring you are working with not only a design of quality but also an environmentally-friendly solution.

Noise reduction measures such as rubber liners, dust suppression features including canvas conveyors, water sprinkling systems and water pumps are all available to optimize your work conditions.

To ensure we comply with the latest environmental management guidelines we are also ISO 14001 certified, demonstrating our assurance to you that our environmental impact is being measured.

SAFETY FIRST

We also apply the two concepts of environmental protection and the safety of personnel to our manufacturing operations. All of our factories implement strict measures in ensuring and improving on the safety of both personnel and visitors.

Safety first is a fundamental attitude for us and proper safety equipment is essential at all times to achieve our goal of zero work-related injury, illness and environmental harm.

To ensure we comply with the latest health and safety guidelines we are ISO 18001 certified. This helps us to identify and control health and safety risks and reduce the potential for accidents.

GLOBAL SERVICE AND SUPPORT

At Sandvik we believe that the sale of our machinery is only the beginning of our relationship with our customers.

We offer unrivalled support and you can rely on our commitment and high level of service no matter what happens. Our aim is to help keep your uptime to an absolute maximum.

GLOBAL SUPPORT

Our parts and service team, part of the Global Support Centre, strives to deliver the best service possible and are supported by our extensive worldwide distributor network covering over 100 locations globally.

As a market leader, our products are renowned for quality, performance and reliability but when your machines show signs of natural wear, or the unexpected happens, our aim is to keep your downtime to an absolute minimum.



SERVICE PROGRAMMES

We offer a range of Service and Maintenance Programmes for all our products designed to suit your requirements.



GENUINE PARTS

Through the use of Sandvik genuine spares and wear parts you can be assured of optimizing the performance and maximizing the productivity of your equipment.

All Sandvik spares and wear parts are specifically designed and manufactured to the highest standards to ensure maximum wear life.

This will help to keep your equipment running for longer, enabling you to lower your operating costs. In turn, this will help you take the best care of your machine(s).





HEAVY DUTY CRUSHING FLEXIBILITY AND RELIABILITY

Our HD range of crushers offers you a heavy duty crushing solution designed for exceptional productivity and high mobility.

Built using the highest quality components, they offer you a highly flexible, robust and reliable heavy duty crushing solution, which have proved capable of operating in the toughest climatic conditions. They come with a range of innovative features making them truly exceptional at what they do. These include:

ADVANCED AUTOMATION

We have incorporated a highly “intelligent” control system which gives you full control of the crushing process. The process is continuously and automatically monitored, enabling full optimization of production.

Sensors are situated at strategic locations to ensure trouble free operation and safe guard against costly breakdowns.

OPERATOR SAFETY

Our crushers are designed to offer the operator an increased level of comfort and safety, giving ultimate peace of mind throughout the entire process. Radio remote control and an electric refuelling pump are features fitted as standard for safety and ease of operation. Wide maintenance platforms have been incorporated and emergency stop buttons are positioned at appropriate locations throughout the plant to maximize operator safety.

IMPROVED WORKING CONDITIONS

Many features are included as standard not only to improve the working surroundings for the operator but also to reduce the environmental impact.

The main conveyors are sealed to reduce dust, rubber liners are fitted to impact zones to reduce noise and a vacuumized system prevents hydraulic oil spillages during filter changes.

QUICK SET-UP TIMES

Each machine is easily transportable in one unit with all components remaining onboard. They have been designed for quick set-up and can be operational within twenty minutes of arrival on site.

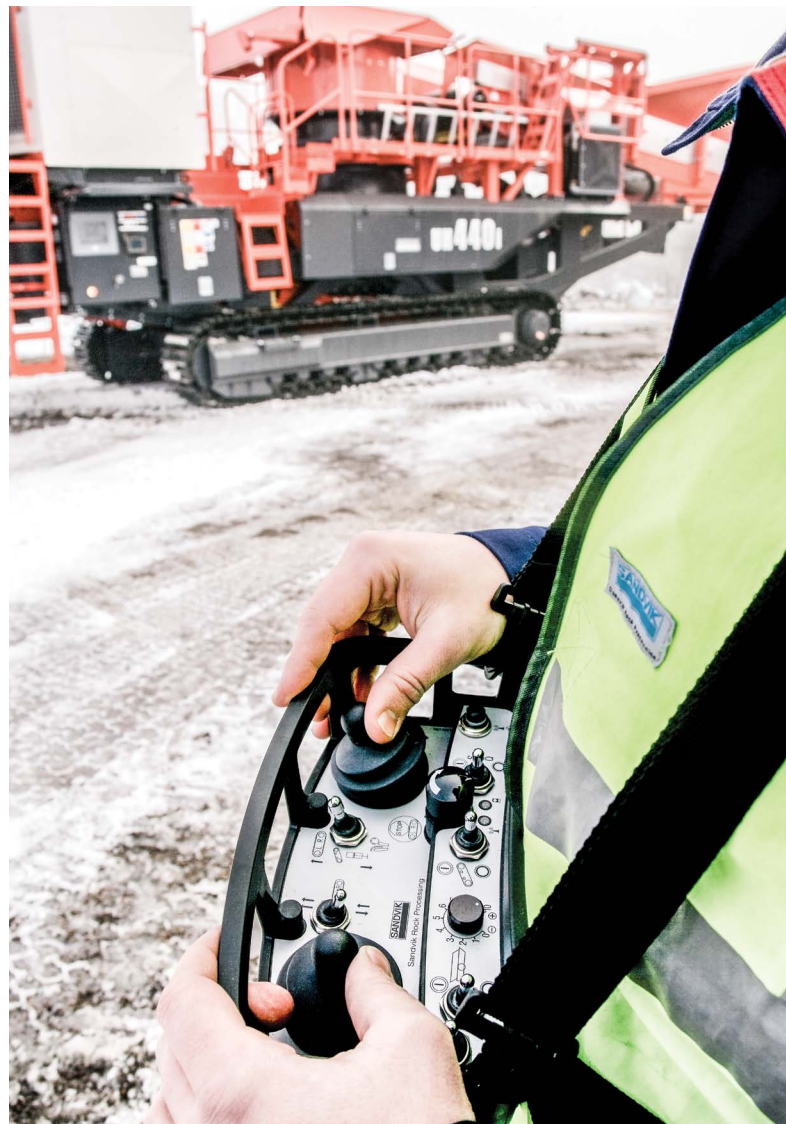
LOW OPERATING COSTS AND HIGH RESALE VALUE

The global costs generated by a machine are the sum of the running costs and the capital expenditure. Sandvik has not only optimized the fuel consumption and the wear but has also built a strong and reliable machine which maintains the production abilities throughout its working life. Our mobile plants have a high resale value which consequently improves significantly the return on investment.

COMBINED SOLUTIONS

Our heavy duty crushers have been designed to work either independently, or in combination in order to produce multiple products from a single crusher run. Through the high level of automation and wireless communication, one or more units may be controlled by a single operator.

Designed to offer optimal throughput whilst reducing running costs, these user-friendly features all help to ensure that you get the maximum return on your investment.



UJ440i JAW CRUSHER

PROVEN RELIABILITY

KEY SPECIFICATIONS	UJ440i
Equipment	Sandvik CJ412 jaw crusher
Feed opening	1200 x 830 mm / 47" x 33"
Optimum feed size	760 mm / 30"
Engine	D13 315 kW / 422 hp
Transport dimensions	
Classic	16.58 m / 54' 5" (l) 3.00 m / 9' 10" (w) 3.92 m / 12'10" (h)
Trend	17.93 m / 58'10" (l) 3.00 m / 9' 10" (w) 3.92 m / 12'10" (h)
Weight Classic	62,500 kg / 137,790 lbs
Weight Trend	74,000 kg / 163,142 lbs

PROVEN RELIABILITY

If you are looking for a high quality, tracked mobile jaw crusher that is robust and built to last, then look no further than our UJ440i. This heavy duty workhorse has proved capable of working throughout the world in all climatic conditions.

The UJ440i is fitted with the Sandvik CJ412 jaw crusher with a large feed opening of 1200 x 800 mm / 47" x 33" for reliability and performance. It has a hydraulically adjustable CSS setting with wedges and a choice of jaw plates to suit the particular needs of your operation.

Designed for minimal operator intervention, the UJ440i possesses a highly automated on-board "intelligence" system. This allows for simplicity of operation as the UJ440i is continuously and automatically monitored by the control system, enabling optimal performance and maximum productivity. This also assures a safe working environment for the operator.

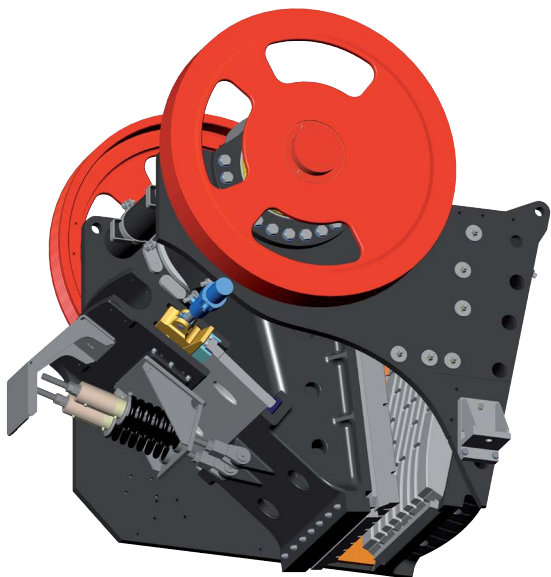
KEY BENEFITS:

- Large feed opening for highest rates of production in its class
- High reduction and productivity through massive depth of crushing chamber - almost 2m / 78"
- Automatic feeder control for uninterrupted production
- Extremely fuel efficient due to direct drive and low rpm diesel engine
- Available with CAT or Volvo engine to ensure we offer you the best local support
- Extremely versatile and available in different variants to suit your requirements



CJ412 JAW

- Very rigid casted mainframe and swing jaw
- Jaw plates can be rotated and are interchangeable
- Cheek plates for protection of side plates in two parts
- Wear plate protects the front frame end
- Intermediate plate protects the swing jaw
- Lubrication free toggle plate
- Heavy duty bearing assembly to ensure the longest life expectancy
- Shaft line assembly, the heart of the swing jaw, has been designed for durability and to withstand the toughest working conditions
- Fully hydraulic adjustable jaw setting



UJ440i CLASSIC

- With grizzly feeder and live under screen
- For use on unclean rock and gravel with high fines content



UJ440i TREND

- With pan feeder and live pre screen
- For use on rock and gravel



UH440i HYDROPHONE VERSATILE CRUSHING

KEY SPECIFICATIONS	UH440i
Equipment	Sandvik CH440 Cone Crusher
Maximum feed size	Up to 215 mm / 8 1/2"
Engine	D13 315 kW / 422 hp
Transport dimensions	18.78 m / 61' 7" (l) 3.00 m / 9' 10" (w) 3.88 m / 12' 8 3/4" (h)
Weight	49,440 kg / 108,996 lbs

UNIQUE VERSATILITY

Our UH440i provides the ultimate solution for any contractor or aggregates producer looking for a highly flexible, fully mobile secondary crushing unit. It comes equipped with our world renowned Sandvik CH440 cone crusher which allows a feed size of up to 215 mm / 8 1/2". This will enable you to produce high quality materials with superb product shape.

Our hydraulically adjusted Hydrocone crusher comes with a vast range of chamber options and eccentric throw adjustments making this one of the most versatile and trusted cone ranges on the market today. It is robust and has an easy to service design with minimal operator intervention, making them not only versatile but easy to maintain.

The UH440i is powered by a 315 kW / 422 hp fuel efficient engine and its robust tracked chassis enables you to benefit from high mobility and a quick set up time. Trouble free and optimal production is ensured by the high level intelligence control system together with an automatic setting system, ASRi, which optimizes cone crusher efficiency by automatically adapting the crusher to variations in feed conditions.

KEY BENEFITS

- Secondary crusher with large feed opening especially well adapted to produce -25 mm / 1" after the UJ440i
- Pressurised cone to prevent dust ingress into the bushes and bearing
- Level sensor to help regulate the feed and to optimize your production, reduction and shape
- Automatic setting system ASRi for optimum efficiency
- Minimal wear and downtime through the use of our unique Constant Liner Performance
- Extremely high fuel efficiency due to direct drive and low rpm diesel engine



Featuring the proven, high performing Sandvik CH440 Hydrocone

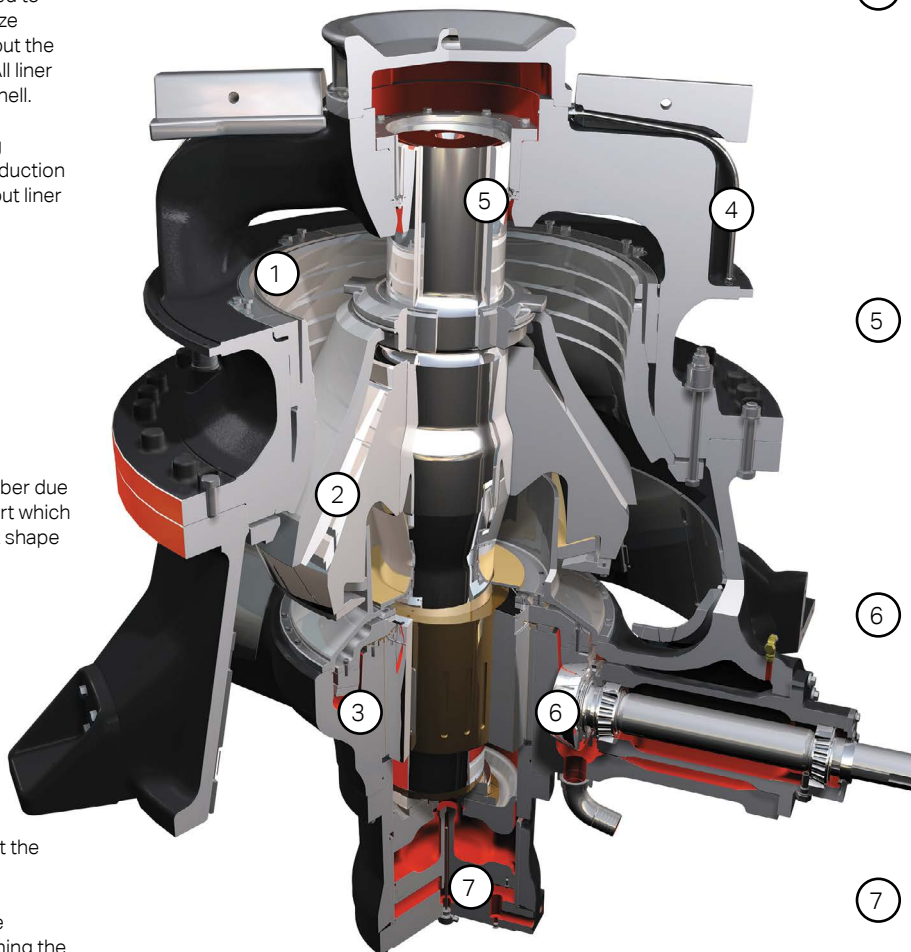
① CLP Liners are designed to keep maximum feed size into the cone throughout the wear life of the liners. All liner options fit in one top shell.

Constant liner opening results in constant production performance throughout liner life.

② Longer crushing chamber due to top & bottom support which gives superior product shape in the chamber.

③ Bush arrangement has multiple settings to suit the required application.

Eccentric throw can be changed by simply turning the bush. The throw range is the most extensive in the market.



④ Modular design with filler ring for ultimate flexibility.

Unique crusher design eliminates the need for anti-spin device on head.

⑤ Main Shaft is supported from both the top and bottom giving additional strength.

⑥ Helical drive gear arrangement for maximum durability and smooth operation.

⑦ Single piston design for gap setting and over load protection. CSS can also be adjusted whilst crushing.

US440i GYRATORY CONE SECONDARY CRUSHING

KEY SPECIFICATIONS	US440i
Equipment	Sandvik CS440 Cone Crusher
Maximum feed size	Up to 450 mm / 18"
Engine	D13 315 kW / 422 hp
Transport dimensions	18.64 m / 61' 2" (l) 3.00 m / 9' 10" (w) 3.90 m / 12' 10" (h)
Weight	54,440 kg / 120,020 lbs

FLEXIBLE SECONDARY CRUSHING

Our US440i is the ultimate heavy duty cone crusher capable of accepting a feed size of up to 450 mm / 18". We have designed this unit to suit the specific needs of large mine or quarry operators but it is also suitable for a huge range of different applications due to our market-leading CS440 cone crusher.

We offer a wide choice of mantles and settings and you can maximise your primary jaw production by opening the CSS for maximum throughput.

The US440i is powered by a 315 kW / 422 hp fuel efficient engine and its robust tracked chassis enables you to benefit from high mobility and a quick set up time. Trouble free and optimal production is ensured by the high level Intelligence control system together with an automatic setting system, ASRi, which optimizes cone crusher efficiency by automatically adapting the crusher to variations in feed conditions.

KEY BENEFITS

- Secondary crusher with large feed opening especially well adapted to produce -50 mm / 2" after the UJ440i
- Pressurised cone to prevent dust ingress into the bushes and bearing
- Level sensor to help regulate the feed and to optimize your production, reduction and shape
- Automatic setting system ASRi for optimum efficiency
- Minimal wear and downtime through the use of our unique Constant Liner Performance
- Extremely fuel efficient due to direct drive and low rpm diesel engine



Featuring the proven, high performing Sandvik CH440 Hydrocone

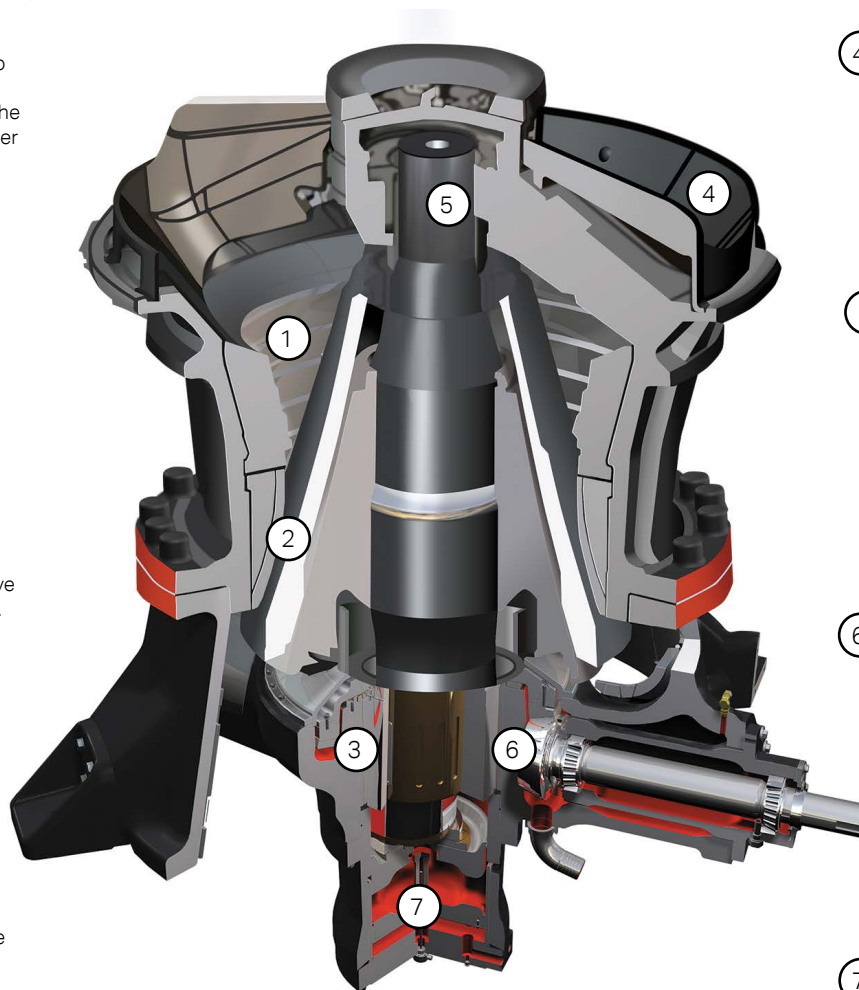
① CLP Liners are designed to keep maximum feed size into the cone throughout the wear life of the liners. All liner options fit in one top shell.

Constant liner opening results in constant production performance throughout liner life.

② Longer crushing chamber due to top & bottom support resulting in massive reductions in the chamber.

③ Bush arrangement has multiple settings to suit the required application.

Eccentric throw can be changed by simply turning the bush.



④ Unique crusher design eliminates the need for anti-spin device on head.

⑤ Main Shaft is supported from both the top and bottom giving additional strength.

⑥ Helical drive gear arrangement for maximum durability and smooth operation.

⑦ Single piston design for gap setting and over load protection. CSS can also be adjusted whilst crushing.

ASRi™ OPTIMIZED EFFICIENCY

PRODUCTIVITY AT YOUR FINGERTIPS

The ASRi™, Automatic Setting Regulation System, fitted to the HD Range of cone crushers optimizes efficiency by automatically adapting the crusher to variations in feed conditions, giving a smoother flow of material resulting in maximized productivity. By continuously measuring and compensating for crusher liner wear, ASRi allows for optimal utilization of crusher liners, and schedule liner replacements to coincide with planned maintenance stops. The ASRi™ also assists in keeping the crusher choke fed in order to maximize rock-on-rock crushing, which helps ensure the highest quality end product.

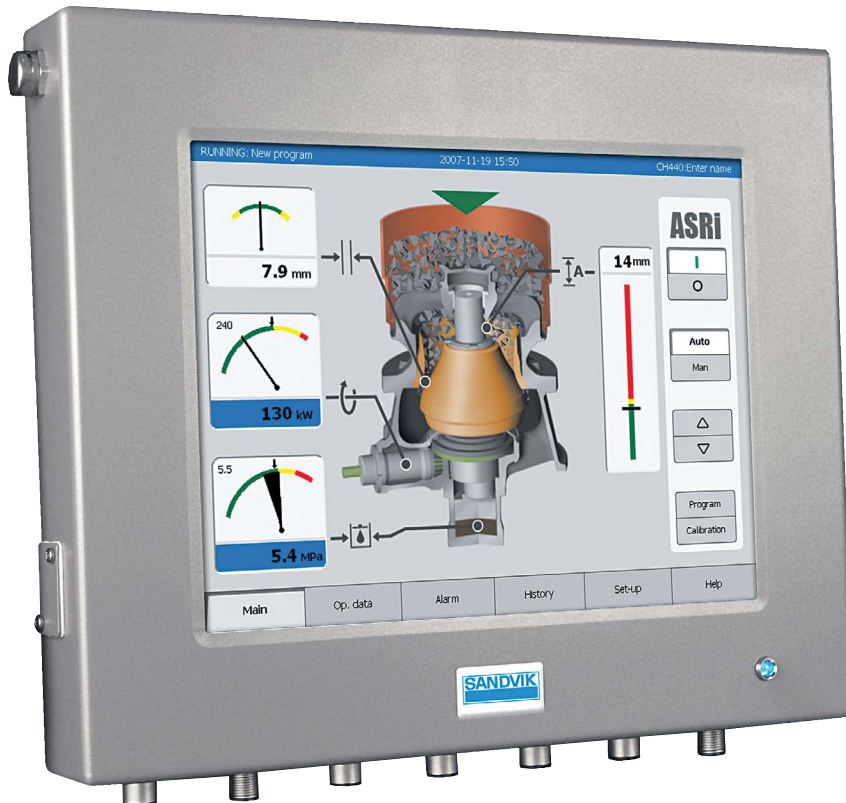
KEY BENEFITS

- Automatical control of the crusher
- Protection against damaging overloads
- Increased production
- Highest possible degree of reduction
- Improved product distribution
- Better product shape

KEY SPECIFICATIONS

The ASRi™ software package consists of four main components that facilitate communication between ASRi™, and other systems.

- ASRi simulator
- ASRi-WINi
- ASRi-OPC-Server
- ASRi-Reporter



Our crushers are equipped with an automatic setting system, which monitors the load on the crusher. This gives considerably improved results and optimum crusher utilization



CLP CRUSHING CHAMBER

Through the use of our unique Constant Liner Performance feature you can reduce wear and consequently the amount of downtime.

The almost vertical profile of the feed opening area means that the shape of the chamber remains virtually unchanged throughout the wearing life.



HANGING SCREEN SYSTEM OPEN OR CLOSED CIRCUIT

PRODUCTIVITY AT YOUR FINGERTIPS

Our HD Range of crushers are available with an optional hanging screen system in either open or closed circuit. This option enables you to split the product into two fractions, creating two stockpiles or recirculating the oversize back to the crusher

KEY BENEFITS

- Easy to attach and remove due to a coupling system with adjustable support legs
- Two hydraulic legs support the module during operation
- Easy to replace screening media
- Excellent modular wear protection
- Dust sealed conveyor

OPEN CIRCUIT

Available for UJ440i, UH440i and US440i



CLOSED CIRCUIT

Available for UH440i and US440i





HD RANGE PROVEN RELIABILITY

Don't take our word for it, listen to what some of our customers have to say about our products.

UJ440I AND UH440I - FUEL ECONOMY



"WE'VE ALWAYS FOUND SANDVIK'S MACHINES TO BE RELIABLE, TOUGH AND IDEAL FOR OUR OPERATIONS IN NIGERIA. THE HEAVY RANGE MACHINERY IS EXTREMELY RELIABLE WHICH IS VERY IMPORTANT TO US IN KEEPING OUR OPERATION GOING. THE MACHINES ON THIS PROJECT HAVE PERFORMED SUPERBLY AND WE ARE PLEASED WITH THE INCLUSION OF VOLVO ENGINES AS THEY HAVE EXCELLENT FUEL ECONOMY, HELPING TO REDUCE OUR OPERATING COSTS."

DAHER KAWERMA, OPERATIONS MANAGER
ROCKBRIDGE CONSTRUCTION
GRANITE QUARRY, NIGERIA
OWNS UJ440i, UH440i AND QA451

US440I - QUICK SET-UP



"WE WANTED A QUICK WIN SITUATION IN ORDER TO ACHIEVE OUR TARGETED CAPACITY AND ONE OF THE HUGE ADVANTAGES OF MOBILE EQUIPMENT IS THAT NO INSTALLATION IS REQUIRED. WE ARE ABLE TO QUICKLY SET THE EQUIPMENT UP AND START PRODUCTION ALMOST IMMEDIATELY."

MR. EL FADI, DIRECTOR
ASPHALT UNITY CONSTRUCTION
CRUSHING BASALT AND GRANITE, NIGERIA
OWNS US440i, UJ640, UH640 AND QA451



UJ440i - RELIABILITY

"7000 HOURS IN YEAR ONE CRUSHING HARD NORDIC ROCK,
THAT'S GOOD ENOUGH FOR ME"

MR. JARNO VIRTANEN
JJ-KAIVIN JA KALLIO OY,
MINING AND SUB-CONTRACTING, FINLAND
OWNS UJ440i, US440i, UH421 AND UH450E

UJ440i - DURABILITY

"THE CHASSIS, THE FRAME, THE BELT - EVERYTHING IS
STURDIER. WE WERE LOOKING FOR SOMETHING THAT WOULD
LAST A LOT LONGER THAN A REGULAR CONTRACTOR'S
PRIMARY JAW, SOMETHING THAT WOULD RUN WELL AND
LAST FOR 15-20 YEARS".

CO-OWNER, JONATHAN TRAPPE
CANYON ROCK,
RIPRAP QUARRY, USA
OWNS UJ440i AND QE441

